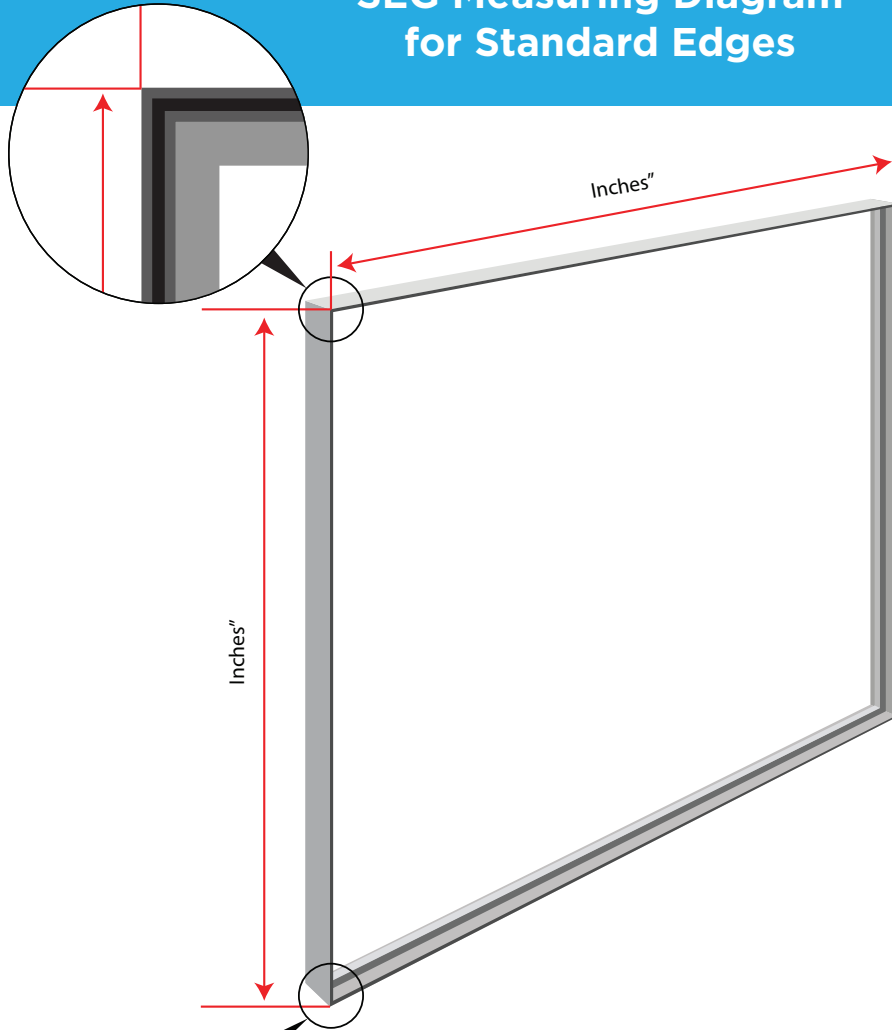
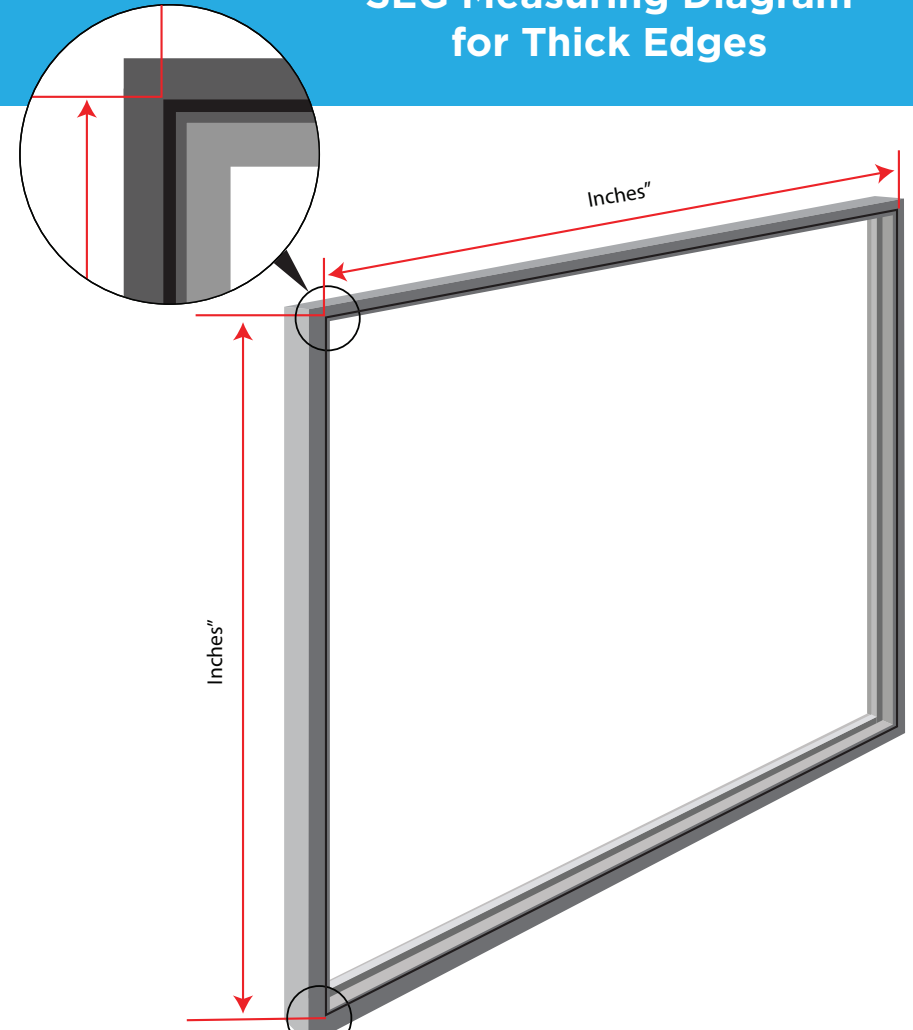


SEG Measuring Diagram for Standard Edges



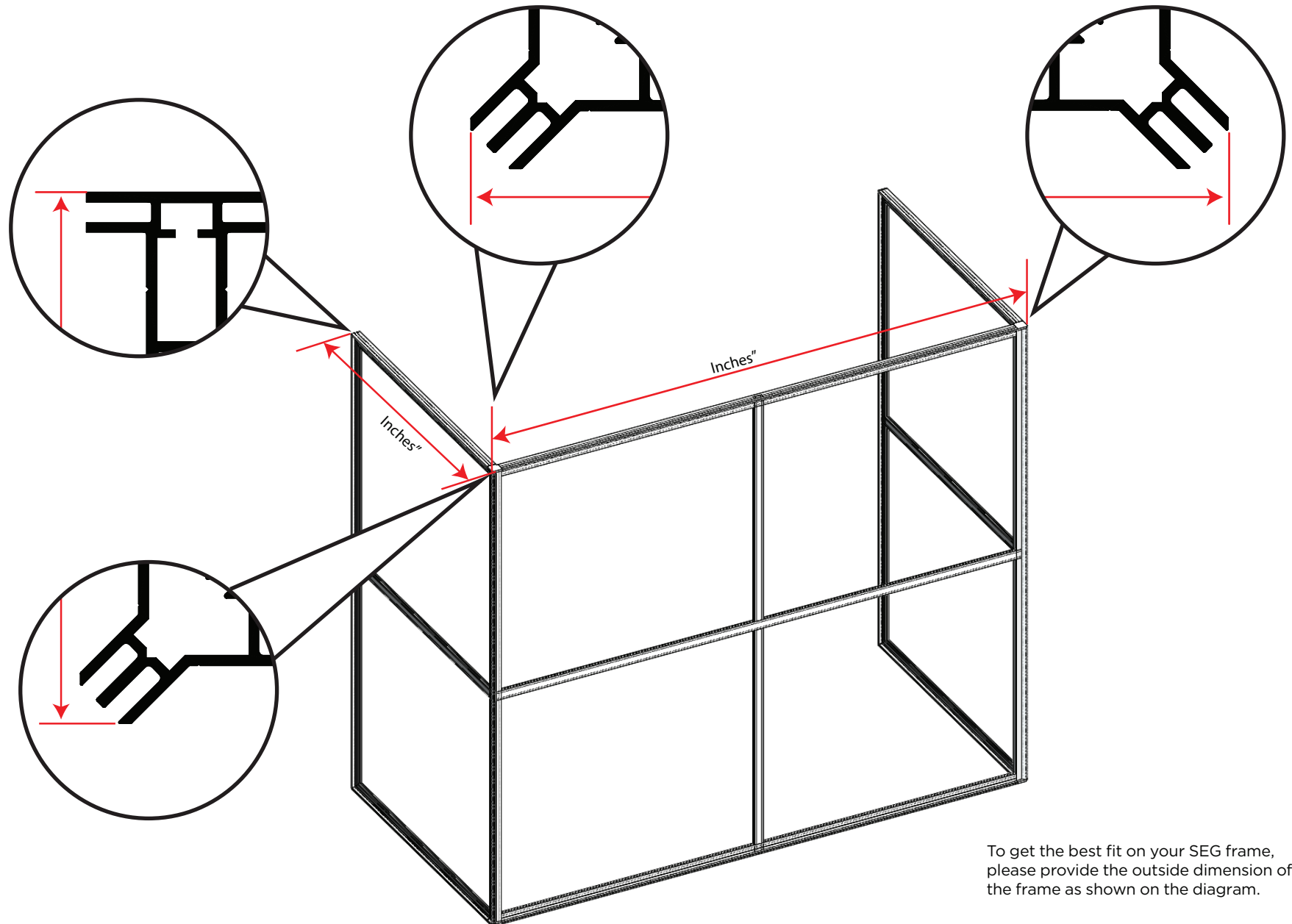
To get the best fit on your SEG frame, please provide the outside dimension of the frame as shown on the diagram.

SEG Measuring Diagram for Thick Edges



If the frame has thicker edges, measurements need to be taken from the outside of channel to outside of channel.

SEG Measuring Diagram for Corner Extrusion



To get the best fit on your SEG frame, please provide the outside dimension of the frame as shown on the diagram.